

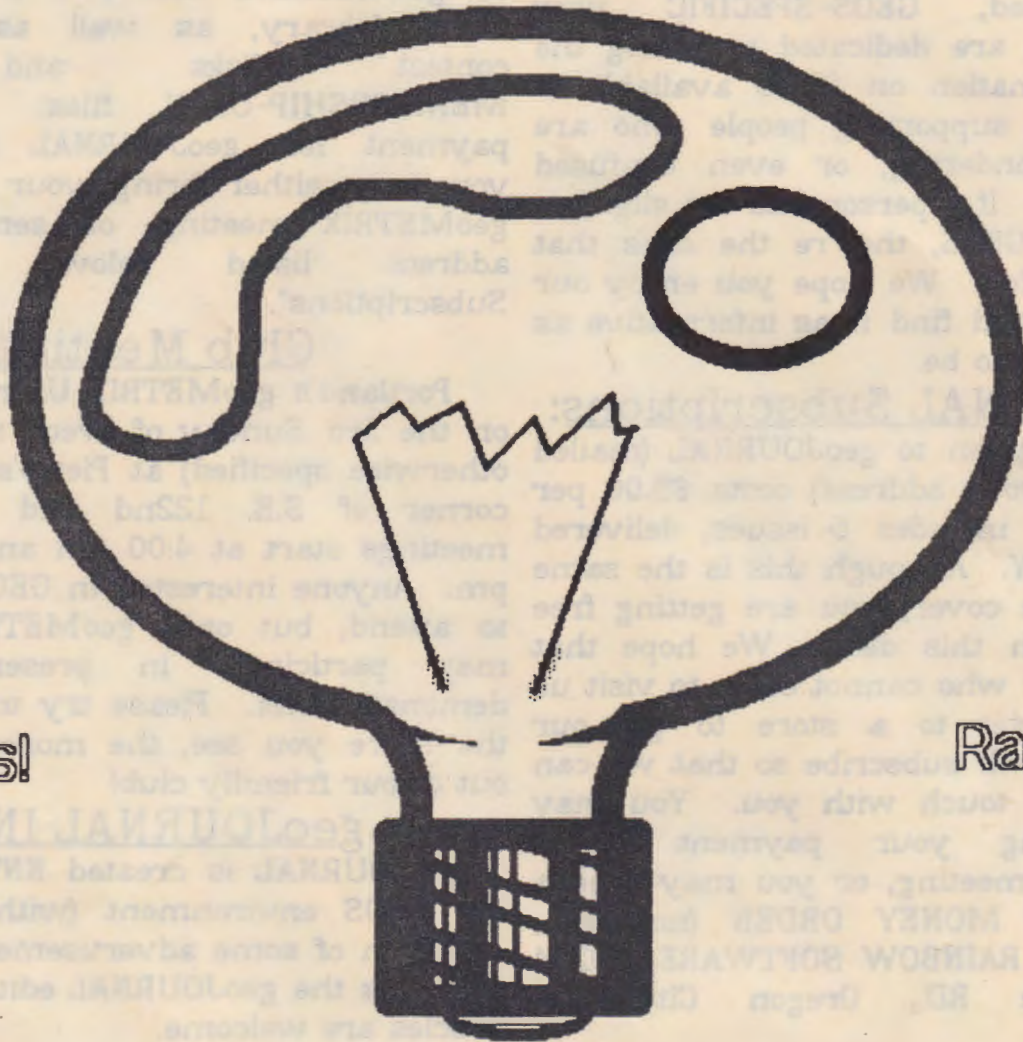
The Official Newsletter of GEOMETRIX, The Nation's First GEOS-SPECIFIC User Group!

Issue #6  
May/June  
1990  
50 Cents

# geoJOURNAL

Neither geoMETRIX nor geoJOURNAL are directly associated with Commodore Business Machines, Berkeley Softworks, or GeoWorks.

## The Rumor Column!



New  
Products!

Q-Link  
Ramblings!

# The Future of the geoJOURNAL

# geoJOURNAL

## Information

### General Info:

geoMETRIX is currently a Portland-based, GEOS-SPECIFIC user group. We are dedicated to giving the latest information on GEOS available to us, and to supporting people who are amazed, wondering, or even confused about GEOS. If a person has the slightest interest in GEOS, they're the ones that we're here for. We hope you enjoy our newsletter, and find it as informative as it is intended to be.

### geoJOURNAL Subscriptions:

A subscription to geoJOURNAL (mailed directly to your address) costs \$3.00 per year. This includes 6 issues, delivered BI-MONTHLY. Although this is the same price as the cover, you are getting free postage with this deal. We hope that those of you who cannot come to visit us or cannot get to a store to get our Newsletter will subscribe so that we can still keep in touch with you. You may either bring your payment to a geoMETRIX meeting, or you may send a CHECK OR MONEY ORDER (no cash, please) to: RAINBOW SOFTWARE, 20224 S. Sprague RD., Oregon City, OR 97045-9641

### Club Membership:

A full-year's membership in geoMETRIX to any one individual costs \$10.00 per year. This includes 6 issues of geoJOURNAL delivered to your address (every other month), privileges to

participate in ANY demonstration or presentation at a group meeting, and access to geoMETRIX's extensive Public Domain GEOS Library, as well as geoMETRIX contest disks and special MEMBERSHIP-ONLY files. As with payment for geoJOURNAL subscriptions, you may either bring your money to a geoMETRIX meeting, or send it to the address listed below "geoJOURNAL Subscriptions".

### Club Meetings:

Portland's geoMETRIX User Group meets on the 3rd Sunday of every month (unless otherwise specified) at Pietro's Pizza on the corner of S.E. 122nd and Stark. Our meetings start at 4:00 pm and end at 8:00 pm. Anyone interested in GEOS is welcome to attend, but only geoMETRIX members may participate in presentations and demonstrations. Please try to be there, as the more you see, the more you will get out of our friendly club!

### geoJOURNAL INFO:

geoJOURNAL is created ENTIRELY under the GEOS environment (with the possible exception of some advertisements). Peter Lerten is the geoJOURNAL editor. Additional articles are welcome.

Advertisement prices are as follows (omit layout charge for photo-ready ads):

Full-Page: \$6.00 (layout charge add 15.00)

Half-Page: \$3.25 (layout charge add 7.50)

Quarter-Page: \$1.75 (layout charge add 3.75)

Please send in your advertisements by the 1st of the month of press-time. Otherwise, ads may not be printed until the next issue.

(Sorry... deadlines... deadlines..)

# geoMETRIX

JUNE 1990

Dear Fellow GeoMETRIX members-

At long last, your overdue issue of geoJOURNAL arrives! I'm not going to make any excuses, but rather explain the "State of GeoMETRIX" to you.

As you may or may not know, our newsletter editor Bryce Tomlinson has decided to quit doing the newsletter, and leave the group. I'll let you read his enclosed editorial, where he goes into a little more detail. As his departure was rather sudden, we've been scrambling to get back on track. At present time I have taken on the editor job, but this is only a temporary fix. We have a core group of local members, who have volunteered to help me with the newsletter. Thanks must go out to Ken Nakatsu, Grady Brown, and Skip Petery. Without their help, I'm not sure WHEN you would have recieved this.

I feel obliged to remind everyone that this IS a users group, and as such, it's not fair to expect a few members to shoulder the entire responsibility of keeping the group functioning. But what can I do to help, you may ask. Well if you're a local member, show up at the meetings and make your voice heard. Also local members are encouraged to volunteer to help with the newsletter. This can be in writing articles and reviews, helping with production of the newsletter, etc. If you are an out of town member, we'd still welcome you to voice your opinion, write us a letter, or send E-Mail through Q-Link to METRIX1, or PETERMC3. Also we'd welcome any articles from any GeoMETRIX members, and please clip any GEOS-related article you see in any newsletter, and mail us a copy.

I'm going to tell you about some of the changes we've got planned for the near future. For one thing we'd like to publish a list of members in the newsletter. We'd also publish the phone numbers of members who give us permission. Look for a different look to the software library listing. Ken Nakatsu is the new librarian, and he is currently re-arranging our library to make it easier to locate programs. We will also be issuing membership cards to everyone in the group. Subscription-only people will receive a notice when it's time to renew. We are also planning to drop the month info from the cover of geoJOURNAL. Instead we will be sending out new issues APPROXIMATLY every-other month. Everyone will still receive their full 6 issues, it just allows us a little more flexibility. Other changes are in the works, we'll try to keep you all informed.

I'm going to close this with a simple message. YOU are the key to geoMETRIX continuing. I started this group with Bryce to have fun and hopefully learn more about GEOS. I cannot do this all by myself, but with a little help from everyone, we'll keep on having fun and more importantly, learning about GEOS. Please let us hear from all of you, your opinion and ideas ARE important!

*Pete*

**RAINBOW Scanner**

Amazing GEOS development  
Ability to scan art to GEOS!

Good News!  
OPENS A NEW REALM...  
I Love it...  
NO PROBLEM!  
Exciting!!!  
Great  
Finally

# Announcing A New Service from

## RAINBOW SOFTWARE

We hope you are as excited about this new addition as we are. Now you have the possibility of using ANY artwork, up to 4 by 6 inches in size, inside GEOS. We take your artwork, and create a custom scanned image, then it's transferred to a GEOpaint file, ready for you to use. This image can be a drawing, line art, a logo, or even a photograph !

*As a special "INTRODUCTORY OFFER" we'll scan any one (1) piece of artwork for only \$5.00, or you can have two (2) scans for just \$7.50. We guarantee your satisfaction, and the original artwork will be returned unharmed. If the art you send will require any cropping please indicate how you'd like it cropped on a separate sheet.*

clip here

*I'd like to take advantage of your "Introductory Offer"*

Name \_\_\_\_\_  One Scan (\$5.00)  
 Address \_\_\_\_\_  Two Scans (\$7.50)  
 City/State/ZIP \_\_\_\_\_

Mail the completed order form with your check or money order to RAINBOW SOFTWARE  
 RAINBOW SOFTWARE 20224 S. Sprague Rd Oregon City, OR 97045



## Editorial

by Bryce L. Tomlinson

This is it, guys. The group will now be taking over the newsletter from here on out. I am resigning my position as editor of this newsletter. Now.. Let me take a minute or two to explain why, and why I think this group has the toughs to withstand being without me.

Right from the start of this group, I have been GUNG-HO GEOS. I still am. All the way back to our first meeting, which had -- gee -- maybe TWO people attending aside from Peter and myself. We were determined to get this group off the ground. All this time, Pete and I have been there. During this time, I have come to see the group growing. Gosh, we are cross-country now! We even have members in other countries!

But also during this time, I have come to feel that geoMETRIX might think that they couldn't get along without me (I don't MEAN to brag, although it might sound like one). The fact is this: I have felt as though for too long, people have

been trying to tie me to a title that I didn't ask for. All that I ever wanted to do was edit this newsletter and benefit GEOS, as well as our group. Somehow, I think that because I am very good with GEOS, people all want me to be the BIG BOY in the group. The guy that will always--ALWAYS be there. Peter and I started this group. Fine. But MANY \*REAL\* user groups don't have the same newsletter editors--or even PRESIDENTS-- that they started out with. This is NOT the end of geoMETRIX.

WHY am I leaving geoMETRIX? For one, I simply don't have the time to dedicate to the group anymore. It's not BECAUSE I BOUGHT AN AMIGA. I did buy an Amiga, and I'm happy with it, but I also ADORE my 128. It's not going ANYWHERE. In fact, as far as GEOS goes, I think that it can be much easier to use in some circumstances... Such as doing a newsletter. I do want to take some FREE time to dedicate to learning my new computer, but it's not taking all of my time--In fact, I'm not spending so much time with EITHER of my computers anymore.

In summing up this editorial, I hope that you can all understand my leaving the group. I hope that there aren't any hard feelings, as I have no hard feelings for the group. I have learned much from the experience, and I hope that maybe I can come back to the group. But for now, I have too many things going on in my life--things that take a high priority over the newsletter. I feel that for the most part, I have tried my hardest to have a top-notch newsletter (although not always out on TIME). I am not going anywhere though. If anyone who has my number has a question, or just wants to say "hi", give me a buzz--by all MEANS! Anyway... I think I have drivelled enough, so on with the newsletter!

-Bryce L. Tomlinson-

---

## The RUMOR Column

These are the latest rumors we've been hearing lately around the GEOS environment--and computers in general! Aren't good steamy rumors just so much fun!

DISCLAIMER: These rumors are just that--rumors. They have no true intent of seriousness, and should only be treated as GOOD JOKES. Any actions you might take as a result of these rumors are strictly your responsibilities. Oh well, have fun reading!

\* The ever-popular new rumor of the times these days is that there are going to be two new items coming out from BSW... Since their success on the geoRAM project, they supposedly decided that they would start on a new hardware project for Commodore 8-bit computers, as well as a new upgrade for the GEOS System. Unfortunately, however, from discussion with one of BSW's geoREPs, we discovered that this information was released improperly, and that the only "NEW" releases from BSW for Commodore 8-bits will, in

fact, be geoRAM and GEOS 2.0 in Europe. Bummer deal, guys! Many people were already giving BSW some new ideas for the pseudo-vapor GEOS 3.0, as well as re-opening discussions on the possibilities of the release of the geoMOUSE.

\* Why is it that, although many Amiga owners proclaim the "DEATH of the 64", there seem to be so many that are making a never-ending quest to make their Amigas act more like their 64's? Take for example, many music demos on the Amiga IMITATE the sound of the 64 (I mean they really TRY!!!)

\* Words of the grapevine say that the makers of SuperCard are in the process of making a nibbler which will be installed in the Super Snapshot 6. This seems really interesting, and we should all take a good look at this and keep up to date on it. The funny thing is, if you have been watching the so-called "COPY CARD WARS", Software Support Int'l. (the main distributors for Super Snapshot here in America) have gone as far as to call reference to the reputability of the company that is making SuperCard... SSI is in DIRECT competition with them, since SSI makes a similar copy-card

# Q-Link Ramblings

Exerpts from messages straight from our closest link to reality.

**SUBJ: GEOS VIRUS, sort of.... (R11) FROM: MichaelS30 04/23/90 S#: 52087**

There is sort of problem with using downloads with GEOS. It even catches veteran GEOS users occassionally. BUT ITS NOT A VIRUS, merely a system quirk.

What happens is that a GEOS disk all of the sudden won't open. Every attempt to open the disk causes the desktop to return a READ ERROR on some meaningless TRACK and SECTOR. You can see the first page of files and all the associated icons, but the desktop just won't let you do anything with them.

(By now most of the "GEOS PROS" know where this message is going...)

What went wrong? This disk worked yesterday!!

Most likely you downloaded a file, or maybe used a "native" CBM program, which TRASHED the disk geos border sector. For some reason this sector must be marked free in the disk's BAM because it always seems it is chosen by any non-geos disk writes.

Thankfully, there is a "treatment". You'll need to find one of the "unGEOS" programs to remove the information that identifies the disk a GEOS disk. When this is done you can now open the disk (and re-convert it to GEOS format). You'll probably want to validate (under destop of course) the disk, just to be safe. One problem with this solution, any files that were on the border are now lost on your disk. The files are still there (at least until you validated the disk) but the directory information no longer exist.

---

**SUBJ: 2 Meg REU Upgrade. FROM: Geojoe C 03/22/90 S#: 42595**

Are you interested in getting your 17XX REU expanded to 1 or 2 megabytes using the 256 X 4 DRAMS? This means 2 megs only use up 16 chip spaces. The same as the 1750. It also uses much less power than if you used 41256's!

The price from the place I'm having mine done is \$150 for 1 meg and \$250 for 2 megs!

When you consider it costs \$50 to \$100 just to get a 1764 up to 512K, this is a real deal! Twice to 4 times the memory of a 1750.

Whats more, if you have an old 1700 you can get it upgraded to 2 megs for \$250 as well!

If you are interested, just E-Mail me for details.

---

**SUBJ: I'll upgrade your 1764 for (R4) FROM: CMDR FIXER 03/21/90 S#: 11411**

I'll upgrade your 1764 to 512k for \$50 plus \$4 for shipping. For details please send EMAIL. I also upgrade 1700's and have new 512k 1764's for sale.

---

For information regarding further details on these messages, please contact Ken Nakatsu either by phone, at one of the meetings, or THE BBS ENTERPRISE (503) 245-8735.

## The RUMOR Column (continued)

called "RAMBOard". Please note that SSI does NOT \*MAKE\* the Super Snapshot. LMS Technologies in Canada makes it. Might someone have gone over someone else's head on this one?

\* About this time, most people know it. GeoBASIC is (supposedly) going to be released by RUN MAGAZINE sometime this June. Though MOST people don't realize that there are rumors flying about a new promotion that RUN or BSW might be trying to use with this product. Sources have said that one of the two companies will be hiring many of the more famous programmers for GEOS--to write some new utilities and programs using GEOBASIC exclusively. Let's hear it for'em!!!

\* BSW has long had an abbreviated name. "Berkeley Softworks" is just a little too much for most people to want to type OR write. You can worry no longer, as BSW is now considering a name change. The new, improved, SIMPLER name should be MUCH easier on those tired fingers of yours...

\* Look for a POLICE ACADEMY film, in which a female officer is tapping away at the Police computer, tracking two of her co-cops, while two more guys are behind her playing with a remote control and zipping the little tracking car on the screen all over town... Look closer. That "POLICE COMPUTER" is none other than a 64!!!

\* A close source to geoJOURNAL has let on to some people that it is possible to run both the geoRAM and the TurboMaster excellerator board TOGETHER. This would provide both the speed of a RAMDISK and the processing of a 4.09 MHz machine!

# geoMETRIX

## The RUMOR Column (continued)

\* As most all of you know by now, Compute's GAZETTE is no more. The JUNE '90 issue was their last one published. Compute has merged the magazine into their sister publication, COMPUTE! Too bad another publication has chosen to ignore the MILLIONS of C64/128 owners out there. On a similar note INFO magazine has gone all Amiga (dirty-word!), their July '90 issue was the last to include 8-bit coverage.

\* Heard through the "grapevine" that Berkeley has sent GEOPUBLISH 128 off to a third-party developer for completion. Program is supposed to take advantage of the 2 mhz. speed and 80 column support in the C128.

\* The popular programs from Roger Lawhorn, GEOLABEL and GEOPRINT are about to be upgraded to new versions. The upgrades will add some new tricks and make these programs even more powerful. Also from the same programmer, a patch to the GEOS kernal that will add a multi-chooser BOX. Called SUPERBOX, this add-on will allow you to pick from the first 255 (!) files on your disk.

\* Berkeley is just about ready to start BETA-testing the new GEOS-like program for the IBM market. Word has it that marketing will be directed at the millions of low-end XT-class computers still in use.

\* The on-again off-again rumored C65GS computer has been shelved for good. Commodore marketing has decided the big "push" should be in getting the Amiga(dirty word, again!) into the mass marketing outlets as quickly as possible. Sources said they were concerned this new C65 would be in competition with their own products. Look for the Amiga to start showing up in K-Mart and Toys R Us before Christmas.

---

## Let's Expand Memory

by Ken Nakatsu

Andrew E. Mileski has developed a way to expand the capacity of the 1750 REU to 1 or even 2 MEGS! Unlike Paul Bosacki's miracle which allows only the C64 to access memory up to 1 meg internally, Andrew's expansion allows both C64 and C128 users the ability to access up to 2 megs off the REU.

The REU was originally designed to access 512kb of expansion memory, but Andrew has found a way to enable the REU to access more memory by "fooling" the REU into thinking it has only 512kb of memory. So by "tricking" the REU into thinking it is four separate REU's, it can be expanded to access up to 2 megs.

The instructions include installing a switch which allows you to enable or disable memory so you have complete 1750 REU software compatibility. Also included are instructions to install two Light Emitting Diodes (LED's) that shows what bank of 512k is being accessed. The LED's are also useful for early detection of software compatibility.

All the hardware for this expansion fits inside the REU case, though you will not be able to use the RF shield when done.

Andrew notes that most software will function with the extra memory enabled, INCLUDING GEOS!! Jim Collette has written a new patched DESKTOP V2.1 which will allow expanded REU's to have a RAM 1581 drive. More improvements are in the works for this new DESKTOP including the ability to have a shadowed 1581.

(editors note: The file described above is called Beyond 512K by Andrew Mileski. It includes a Geopaint schematic of the circuit. It's available to download as BEYOND512K.SDA on BBS Enterprise)

---

## Font Library Update -

YES!! You'll find a listing in the back pages of the new geoMETRIX Font Library. Look for details next issue on how you can order font disks from the library. We are also working on a catalog of these fonts, which we'll make available to members for a nominal charge. If you have any favorite fonts, which aren't in our library, let us know the name and source, and we'll add them.

---

GEOS	FILE	EDIT	OPTIONS	FONTS	POINTS
GEOS INFO	CLOSE 4-25	CUT OR COPY 4-18 & 6-8	PIXEL EDIT * * 4-16	BSW	9
DESK TOP INFO	UPDATE 4-20	PASTE 4-18	NORMAL EDIT	California	10,12,14,18
SELECT INPUT 2-24	PREVIEW 4-21		CHANGE BRUSH 4-23 *	Corv	12 & 24
SELECT PRINTER 2-27	RECOVER 4-20		COLOR OFF * * * 4-7	Dwinelle	18
PREFERENCE MANAGER 6-12	RENAME 4-20			Roma	9,12,18,24
ALARM CLOCK 6-4	PRINT 4-24			University	6,10,12,14,18 & 24
PHOTO MANAGER 6-8	QUIT 4-25				
TEXT MANAGER 6-15					
CALCULATOR 6-5					
NOTE PAD 6-7					

**MOVES DRAWING WINDOW (PIXEL EDIT)** 4-21

**FILLS WITHIN SOLID CLOSED LINES (PIXEL EDIT)** 4-9

**MEASURES IN INCHES OR PIXELS (PIXEL EDIT)** \* \* \* \* 4-22

**PAINT BRUSH (PIXEL EDIT)** \* 4-8

**ERASER (PIXEL EDIT)** 4-15

**UN-FILLED RECTANGLE (PIXEL EDIT)** \* \* \* \* 4-10

**UNFILLED CIRCLE** 4-10 & 4-11

**USED TO CHANGE THE CARD CANVAS COLOR** \* \* \* 4-6 & 4-7

**EDIT (ALL EXCEPT PIXEL EDIT)** 4-17

**SPRAYS CURRENT PATTERN (PIXEL EDIT)** \* \* \* \* 4-9

**DRAWNS STRAIGHT LINE (POINT-POINT) (PIXEL EDIT)** 4-10

**PENCIL (PIXEL EDIT)** 4-8

**TEXT** 4-12

**FILLED RECTANGLE** 4-10

**FILLED CIRCLE** 4-11

**color** 4-6 & 4-7

**Undo** 4-15

**EDIT OPTIONS**

PIXEL EDIT \* \* 4-16

NORMAL EDIT

CHANGE BRUSH 4-23 \*

COLOR OFF \* \* \* 4-7

for PHOTO SCRAP(S)

4-17

EDIT mode

mirroi X  invert  copy  clear

mirroi Y  rotate

for EDITING

**NOTE :** (PIXEL EDIT)  
Means it works in PIXEL EDIT MODE

**for PIXEL EDIT**

Style :

plain text  italics  outline

bold  underline  reverse

4-13

for TEXT

**MEASURE** \* \* \* \* 4-10

SHOWS DRAWING WINDOW ON 8-1/2" X 11-1/2" 4-7

CARD PAINT COLOR INDICATOR

PAINT COLOR BAR

for FILL/AIR BRUSH/PAINT BRUSH/PENCIL/CIRCLES/erase

**MEASURE** \* \* \* \* 4-10

Measure units :  inches  pixels

X : 73 Y : 63 distance : 184

for RULER/STRAIGHT LINE and RECTANHGLES

4-8

for PAINT BRUSH SELECTION \* 2 ways

INDICATOR

4-7

paint

canvas

SELECTOR

for CANVAS COLOR CHANGE \* \* \*

**NOTE :** DASHED NUMBERS ARE PAGE NUMBERS IN MANUAL

**CURRENT PATTERN INDICATOR**

CLICK-ON TO PICK ONE OF THIRTY-TWO PATTERNS



4-23

for PATTERN SELECTION

K.F.C 2/17/87



-DOORS A*.....	FF03	BONANZA.....	FF01	DATRONIC.....	FF01	FEDERATION.....	FF04	HASTE.....	FF02	LW-BARROWS.....	FF01
-DOORS A1.....	FF03	BOOKPLATE.....	FF04	DE VILLE.....	FF04	FILL48A-M.....	FF02	HEADERETTE.....	FF01	LW-CAL.....	FF01
-L.C.D. A1.....	FF03	BORDERS AA1*.....	FF03	DECO+.....	FF02	FILL48N-Z.....	FF02	HEARST.....	FF01	LW-COWELL.....	FF03
-PRINCETON A1.....	FF03	BOSIE.MAC.....	FF01	DEF LEPPARD.....	FF04	FINESSE.....	FF01	HEBREW.....	FF02	LW-GALEY.....	FF03
-RUTGERS A1.....	FF01	BOTTLENECK AA1*.....	FF03	DEFAULT AA1*.....	FF03	FINO.....	FF02	HILGARD 1.....	FF02	LW-GIANNINI.....	FF03
128-191 U/L REV..	FF01	BOWDITCH.....	FF02	DERBY.....	FF02	FINO AA1*.....	FF03	HILGARD 2.....	FF02	LW-GREEK.....	FF01
192-255 UC REV..	FF01	BOWLES.....	FF02	DESK TOP.....	FF01	FIRE.....	FF04	HMAG.....	FF04	LW-HAVILAND.....	FF03
2 CHAMELEON.....	FF01	BOXED.....	FF05	DESK TOP.....	FF02	FISSION.....	FF05	HOH 12 16.....	FF05	LW-PIEDMONT.....	FF03
36POINT.....	FF02	BRAGGO+.....	FF01	DESK TOP.....	FF03	FLAMBEAU.....	FF03	HOLLOW.....	FF04	LW-ROMA.....	FF01
72 LOWER A1*.....	FF01	BRILLE.....	FF02	DESK TOP.....	FF04	FLINTS.....	FF02	HOLLYWOOD.....	FF01	MACHINE.....	FF05
72 UPPER A1*.....	FF01	BRENNENS.....	FF03	DESK TOP.....	FF05	FOG.....	FF02	HORIZON.....	FF05	MACHINE AA1*.....	FF03
ABC GRAPHICS.....	FF01	BRICKS.....	FF01	DESPLAINES.....	FF03	FONT FOR DOCS.....	FF04	HOSTAGE.....	FF05	MACINTOSH.....	FF04
ABERDEEN.MAC.....	FF01	BSW 128 FONT.....	FF04	DICTIONARY.....	FF04	FONTGORIA.....	FF04	IBN.....	FF01	MAGIK A1*.....	FF03
ADDER.....	FF02	BUBBLE.....	FF02	DICTIONARY2.....	FF01	FONTKNOX.....	FF02	ICONS2.....	FF01	MAGNETIC.....	FF04
AGATHA.....	FF01	BULLFROG.....	FF05	DIGIFONT.....	FF05	FONTSY.....	FF03	IINLINE.....	FF01	MAIN STREET.....	FF02
ALIEN.....	FF01	BUSDRAW+.....	FF02	DIGITAL.....	FF04	FRANKFORT.....	FF04	INFLATED.....	FF04	MANISTEE.....	FF04
ALTAMAHA.....	FF03	C= CHARS.....	FF02	DINGBATS.....	FF02	FRANKFURT+.....	FF04	INGOT.....	FF01	MANUSCRIPT.....	FF03
AMERICA.....	FF02	CALIFORNIA.....	FF01	DISCLAIMER A1*.....	FF02	FREEHAND.....	FF01	INVITE AA1*.....	FF03	MARICOPA.....	FF02
AMERISIGN A.....	FF02	CALLAGHAN.....	FF02	DIVELY.....	FF01	FREEHAND+.....	FF01	ITALIAN 2.....	FF05	MARQUETRON.....	FF03
ANACOSTIA.....	FF02	CAMP HILL.....	FF02	DNATO.....	FF04	FROSTY.....	FF01	ITALIAN PRINT.....	FF05	MASH.....	FF04
ANACOSTIA PD.....	FF05	CAPUNDER.....	FF01	DOORS.....	FF01	FURNITURE A.....	FF05	JABBAFONT.....	FF05	MATRIX A1*.....	FF03
ANALECT.....	FF02	CARTOONS 1.....	FF02	DOORS *.....	FF03	FURNITURE B.....	FF05	JALISCO AA1*.....	FF03	MATT.....	FF04
ANDREA'S.....	FF04	CAVEMAN.....	FF01	DOORS 1.....	FF03	FUZZY.....	FF01	JAVELINA.....	FF02	MAXIOBLIQUE.....	FF02
ANTEXT.....	FF01	CHAMELEON 1.....	FF01	DOORS A.....	FF03	GALEY DM.....	FF04	JEANNIE.....	FF05	MAXIPOSTER.....	FF02
ANTEXT.....	FF05	CHANCERY.....	FF04	DOORS20 PD.....	FF02	GALLERY.....	FF04	JOKER.....	FF02	MCLAUGHLIN.....	FF02
AQUARIUS.....	FF02	CHANNING.....	FF02	DOWNTRACK.....	FF05	GALLIMAUFRY.....	FF02	JOKER A1.....	FF02	MEDALLION.....	FF02
ARCH.....	FF01	CHECKMATE.....	FF03	DQ-R/DEUTSCH.....	FF02	GARNET.....	FF02	JOKER24 PD.....	FF05	MEGA AMERICA.....	FF05
ARIZONA.....	FF01	CHESSBOARD.....	FF04	DQ-R/SPAMISCH.....	FF02	GATEWAY.....	FF03	JUNIPER.....	FF04	MEGA BACKSTRIPE.....	FF05
ARROW.....	FF02	CHESETT.....	FF04	DQ-ROMA.....	FF03	GEMINI.....	FF04	KENSINGTON.....	FF02	MEGA BARROWS.....	FF02
ARROW A1.....	FF02	CHESTIC.....	FF02	DUCKABUSH 16.....	FF04	GENESEE.....	FF03	KEYBOARD A1*.....	FF03	MEGA CAL.....	FF02
ARROW24 PD.....	FF02	CHICAGO.....	FF01	DURANT.....	FF01	GENESEE 32.....	FF03	KIDBITS/A-M.....	FF04	MEGA CORONA.....	FF04
ASHBY.....	FF02	CHOD CHOD.....	FF01	DVORAK.....	FF04	GERMAN.....	FF04	KIDBITS/FR/A-Z.....	FF05	MEGA DECO.....	FF01
ASTRA.....	FF04	CHOP SUEY.....	FF02	DVORAK.2.....	FF04	GILA.....	FF03	KIDBITS/N-Z.....	FF04	MEGA ENGLISH.....	FF03
ASTRA2.....	FF04	CHRISTMAS A1.....	FF02	DWIGHT.....	FF02	GLYPTIC.....	FF04	KIPS.....	FF02	MEGA FONTSY.....	FF04
ATHENS.....	FF05	CIRKULUS.....	FF02	DWINELLE.....	FF01	GOTHIC.....	FF02	KITEFONT.....	FF05	MEGA HEADERETTE.....	FF04
AVERAG1.....	FF02	CLOTHESLINE2.....	FF04	DWINELLE 36.....	FF04	GOTHIC+.....	FF03	KLICKITAT 12 16.....	FF05	MEGA HOLLOW.....	FF05
BABY A1*.....	FF02	CLOTHSLINE.....	FF01	EASTERN.....	FF01	GOTHIC9.....	FF04	KNEET.....	FF01	MEGA ICONS.....	FF04
BACKSTRIPE.....	FF01	COLLEGIATE.....	FF04	EDFONT.....	FF01	GOUDY.....	FF01	L'AURIOL.....	FF04	MEGA INGOT.....	FF01
BADGE.....	FF02	COMIC FONT.....	FF02	EDGEWOOD.....	FF03	GR LC 64-126.....	FF01	L.C.D. 1.....	FF03	MEGA JEANNIE.....	FF05
BALLOON.....	FF01	COMMODORE.....	FF02	ELEGANT.....	FF01	GR UC 64-126.....	FF01	L.C.D. A.....	FF03	MEGA JUNIPER.....	FF04
BALLOON+.....	FF01	COMMODORE NLQ.....	FF02	ELEGANT24.....	FF05	GRAFFITI.....	FF02	LATIMER.....	FF02	MEGA NAZARETH.....	FF05
BANCROFT.....	FF02	COMPAX.....	FF02	ELITE.....	FF04	GRAFFITI 1.....	FF03	LATIN.....	FF04	MEGA NAZARETH 2.....	FF04
BANNER.....	FF02	COMPUFONT.....	FF04	ELIZABETHAN CAPS.....	FF04	GRAFFITI A.....	FF03	LAWRENCE.....	FF02	MEGA NEWS.....	FF05
BARNUM.....	FF01	COMPUFONT 30.....	FF04	ELIZABETHAN LOWR.....	FF04	GRAFFITI24 PD.....	FF02	LECONTE.....	FF01	MEGA OLD ENGLISH.....	FF01
BARNUM II.....	FF01	COOSA.....	FF03	ELLSWORTH.....	FF02	GRAPHIC.....	FF02	LEWIS.....	FF02	MEGA PAINTBRUSH.....	FF01
BARRINGTON.....	FF02	CORY.....	FF01	ELMWOOD.....	FF02	GREEK.....	FF04	LICORICE A1*.....	FF02	MEGA ROMA.....	FF02
BIGTOP.....	FF01	COUGAR-1.....	FF04	ELVIRA.....	FF02	GREEK SYMBOLS.....	FF04	LINED MANUSCRIPT.....	FF03	MEGA SMURF.....	FF01
BIJOU.....	FF05	CRUSADER.....	FF05	ESHLEMEN.....	FF02	GRIZZLY.....	FF02	LINES2 IP.....	FF05	MEGA SOCIETY.....	FF04
BILLETS.....	FF04	CS FONT.....	FF04	ESPERANTO.....	FF02	GUNSHOT A1*.....	FF02	LINGUINI A1*.....	FF03	MEGA SOLANO.....	FF05
BIRGE.....	FF02	CUBIC.....	FF02	ETCHEVERRY.....	FF02	GUTARCHRDS.....	FF05	LODESTAR.....	FF04	MEGA STAR TREK.....	FF04
BISQUE+.....	FF01	CUBIC.....	FF05	EUCLID.....	FF02	GUTENBERG A1.....	FF01	LOGOS 1.....	FF05	MEGA STYMIE.....	FF04
BLACKLTRS.MAC.....	FF04	CUMBERLAND.....	FF03	EVANS.....	FF02	HALF & HALF.....	FF05	LOGOS 2.....	FF05	MEGA SUPERB 30.....	FF05
BLOCK A1.....	FF03	CURSIVE.....	FF01	EXEC.....	FF01	HALLOWEEN.....	FF05	LOUGHMAN.....	FF04	MEGACORY.....	FF04
BLOCKHEAD.....	FF02	CUT.....	FF04	EXEC AA1*.....	FF03	HALVED.....	FF05	LOWBROW.....	FF01	MEGAOX.....	FF05
BOALT.....	FF03	D'NEALIAN.....	FF05	EXOTIC.....	FF04	HAMILTON.....	FF02	LOWERY.....	FF01	MEGAREUS.....	FF04
BOARDWALK.....	FF04	DANA.....	FF01	EXTRA GRAPHICS.....	FF01	HARMON.....	FF02	LW-BACON.....	FF03	MEGATOLMAN.....	FF04

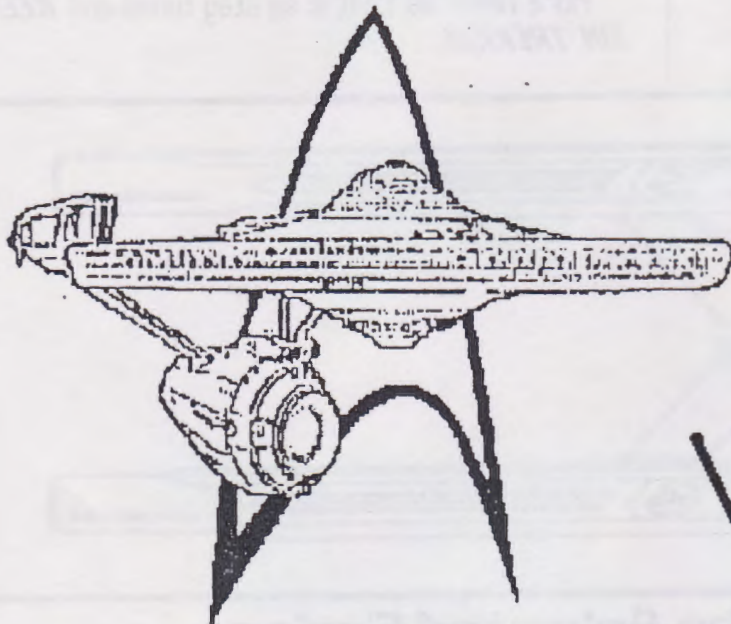
MELINDA.MATHFONT.FF03	PHANTOM.....FF01	SANGAMON.....FF04	SQUARE 16.....FF01	ULTRA BODONI.....FF03
MENOMINEE.....FF04	PICA.....FF04	SANTA MARIA.....FF02	SQUAT.....FF04	UNISYS.....FF01
MESQUITE.....FF02	PIMPF.....FF03	SANTEE.....FF04	STADIUM.....FF02	UNIVERSITY.....FF01
MICROFONT.....FF02	PLAYBILL.....FF01	SATHER.....FF02	STAR FLEET.....FF05	UPC.....FF01
MILLS NLQ.....FF04	PLUMBING.....FF05	SATURN.....FF02	STAR TREK.....FF05	UPTITE.....FF01
MISFIT.....FF01	POCONOS AA1*.....FF03	SCANNER AA1*.....FF03	STAR TREK TNG.....FF05	USEFUL 7PT.....FF05
MOD OMBRA.....FF01	POLKADOT.MAC.....FF05	SCHBLOCK.....FF01	STARS.....FF02	VENETIAN.....FF03
MOD OMBRA.....FF04	POP A1.....FF03	SCHOOL.....FF03	STENCIL.....FF01	VIA FACE DON.....FF05
MODERN STENCIL...FF05	POPSICLE.....FF02	SCIOTO.....FF04	STENCIL A1.....FF03	VISTA A1.....FF03
MOFFIT.....FF02	POPSICLE24 PD...FF03	SCOOP A1.....FF03	STENCIL STAR...FF05	VOIVOD.....FF05
MONOGRAM.....FF02	PRINCETON.....FF02	SCOOPED A1.....FF03	STENCIL9.....FF04	VOODOO A1.....FF03
MORRISVILLE.....FF05	PRINCETON 1.....FF03	SCRABBLE.....FF05	STERN.....FF03	WAFERESQUE.....FF01
MUKILTED 14 21...FF05	PRINCETON A.....FF03	SCRIPT.....FF02	STOP 2.....FF01	WALL.....FF03
MULFORD.....FF02	PRINCETON24 PD...FF03	SCRIPT 16.....FF03	STORYBOOK1.....FF03	WAZZU 12 16 24...FF05
MUSIC.....FF05	PRISM II.....FF01	SCRIPT 16REVISED.FF03	STORYBOOK2.....FF03	WEATHERLY.....FF05
MUSIC #&B.....FF05	PRIZMA.....FF01	SCRIPT.MATHFONT..FF03	STRIPED2.....FF05	WELLINGTON.....FF02
MUSIC 1.....FF05	PRO-TYPE.....FF05	SEPULCHRE.....FF05	STROBE1.....FF02	WESTERN.....FF05
MUSIC 1/16.....FF05	PUBFROSTY.....FF04	SEQUIM 14 24....FF05	STTNG.....FF01	WHEELER.....FF01
MUSIC 1/2.....FF05	PUBLISHER.....FF02	SEVENTEEN CPI...FF05	SUNSET.....FF05	WHIMSY AA1*.....FF03
MUSIC 1/4.....FF05	PUEBLO.....FF02	SHADE A-M.....FF05	SUPERB.....FF02	WILLAMETTE.....FF03
MUSIC 1/8.....FF05	PUTNAM.....FF01	SHADE N-Z.....FF05	SYMBOLICA.....FF03	WOODY.....FF05
MUSIC-SCALE.....FF02	PUYALLUP 12 24..FF05	SHADED.....FF04	SYMBOLS.MATHFONT.FF03	WORD P COMP.....FF02
MYKONOS.....FF02	PYSHT 14.....FF05	SHADES.....FF02	TABLED.....FF01	WORDSONG.....FF01
MYSTIC.....FF03	QDFONT.....FF05	SHADOW.....FF03	TAHUYA 12 16....FF05	WURSTER.....FF03
NANSEMOND.....FF04	QUINCY AA1*.....FF03	SHADOW A-L.....FF03	TAKE-OUT.....FF05	YAZOO.....FF04
NAZARETH.....FF01	RACEWAY.....FF01	SHADOW BOX.....FF02	TAKOMA.....FF05	YOSENITE.....FF01
NEGATIVE.....FF01	RADIO AA1*.....FF03	SHADOW M-Z.....FF03	TARA.....FF05	ZAPF 10 14.....FF03
NEON A1*.....FF03	RAINSTORM.....FF01	SHADOW PD1.....FF05	TELEGRAPH.....FF02	ZELLERBACH.....FF03
NEW NINE.....FF05	RAINSTORM.....FF04	SHADOW PD2.....FF05	TELEVISION AA1*..FF03	
NIALL.....FF05	RAMAPO.....FF04	SHADOWED BARS 2..FF05	THE KEYBOARD....FF03	
NIOBRARA.....FF04	REGAL.....FF02	SHADY DEAL.....FF05	THE VATICAN.....FF02	
NLQ 10Q.....FF03	REPORTER.....FF03	SHILLING.....FF01	THEATRE.....FF01	
NLQ-10.....FF01	REVERSE.....FF01	SHOTGUN.....FF05	THIN.....FF04	
NORM 18.....FF01	RIBBON.....FF02	SIDEWALK A.....FF03	TIARIA.....FF05	
NORTH GATE.....FF02	RIBBON.PS.....FF01	SIDEWINDER.....FF04	TILDEN.....FF02	
NOTES QTR.....FF05	ROBIN HOOD.....FF02	SIMPLICITY.....FF03	TINY SQUARE.....FF02	
NOTES WHL.....FF05	ROCO.....FF03	SKAGIT 12.....FF05	TIPPECANOE.....FF04	
OBLIQ.....FF02	ROMA.....FF02	SMALL CAPS.....FF03	TIPPECANOE 2....FF05	
OCMULGEE.....FF04	ROMAN.....FF04	SMALL FONT.....FF03	TNT.....FF05	
ODIN.....FF04	RONASASCII 1.1...FF01	SMEDLEY.....FF02	TOLMAN.....FF02	
OLD ENGLISH.....FF05	RONASASCII 2.2...FF05	SMEDLEY.....FF03	TOMBIGBEE.....FF04	
OLDE ENGLISH 48..FF03	RONSPUB 1.1.....FF01	SMITH CORONA....FF04	TORONTO.....FF05	
OMNI.....FF05	RONSPUB.DOCs....FF04	SNOW.....FF05	TRAINS/01.....FF04	
OPAL PUB.....FF05	RONSTEXT 3.3....FF01	SOHO+.....FF05	TREK 24.....FF01	
ORIENT.....FF05	RONSTEXTER 1.4...FF02	SOLANO.....FF02	TREK A-1.....FF04	
ORHAND.....FF02	RONSWRITER 2.2...FF01	SOMERTON.....FF04	TREK A-S.....FF04	
OUTLINER.....FF01	ROUNDED.....FF05	SPACEBALLS.....FF04	TREK A-Z.....FF04	
OXFORD.....FF02	ROUNDED A1.....FF03	SPAGHETTI A1*...FF03	TREK J-S.....FF04	
PAINTBRUSH.....FF01	RUNE.....FF04	SPATS.....FF03	TREK T-Z#.....FF04	
PAMLICO.....FF04	RUSSIAN.....FF05	SPEED.....FF05	TRUE 80C.....FF01	
PARCEL POST.....FF05	RUTGERS.....FF02	SPEED2.....FF05	TUBBY.....FF01	
PEACE.....FF05	RUTGERS 1.....FF03	SPOOK.....FF03	TUKWILA 14.....FF05	
PEIGNOT.....FF01	RUTGERS A.....FF03	SPOOKY GALORE+...FF05	TUOLUMNE.....FF04	
PENOBSCOT.....FF04	RUTGERS24 PD....FF03	SPROUL.....FF03	TUXEDO AA1*.....FF03	
PEPPERMINT.....FF02	SACO.....FF04	SPRUCE.....FF03	TWISTED.....FF01	
PERSONAL.....FF03	SAMPLER 24PT....FF05	SQUADRATA.....FF03	TYPESETTER.....FF03	

# VOYAGES



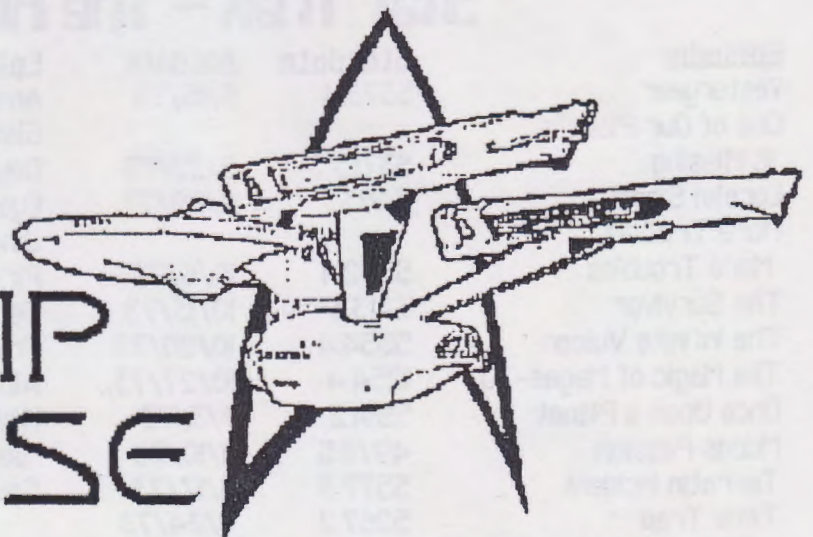
THE 'ZINE' FOR STAR TREK FANS

Vol. 2 No. 2 Stardate 9006.01



THESE  
ARE  
THE  
VOYAGES

OF  
THE  
STARSHIP  
ENTERPRISE



**INSIDE THIS ISSUE:** \* ORIGINAL STORY: 'TO HAVE AND BEHOLD' BY RICHARD SAPPINGTON \* DATA ON EXCELSIOR CLASS STARSHIP \* FACT SHEET ON THE ANIMATED SERIES \* ALIEN RACE PROFILE \*

## SUBSPACE CHATTER

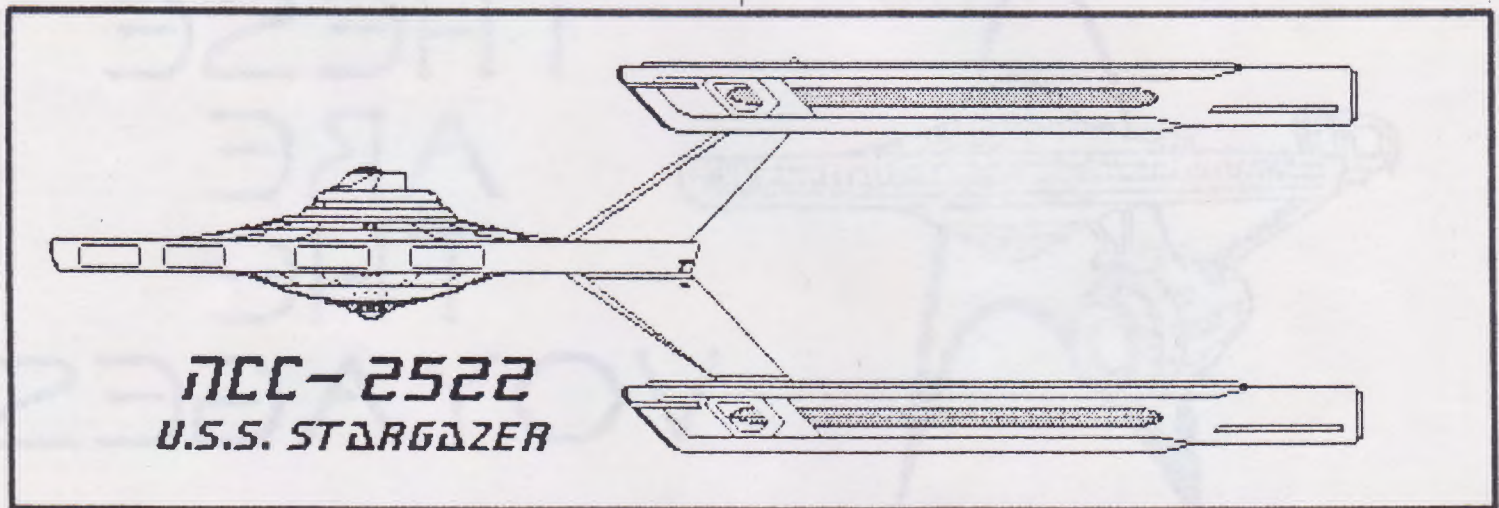
How successful are the **STAR TREK** novels published by Pocket books? There have 60 TREK novels published with total sales of more than 18 million copies. Every book published since May of 1986 has been on the **NEW YORK TIMES** best seller list. By the way, Pocket book is owned by Paramount Communications Co.

In other **ST** news, Harve Bennett, the movies producer mentioned that, if (and thats a big if) they decide to do a sixth movie, there is an already-written script they could proceed with,

called **Star Trek: The First Adventure**, which, if they are available, would only use Shatner and Nimoy to wrap-around the adventure with new (and younger, natch) actors playing the original Enterprise crew. ( I can hear the fans grumbling now )

**STAR TREK: The Next Generation** continues to barrel along of course, as it prepares to sail into seasons four and five, with the possibility of even more. It has at least equaled the original series in the number of seasons but not in the number of episodes.

More news as I get it so stay tuned and **KEEP ON TREKKIN.**



## Star Trek - The Animated Series

Episode	Stardate	Airdate	Episode	Stardate	Airdate
Yesteryear	5373.4	9/15/73	Ambergis Element	5499.9	12/1/73
One of Our Planets			Slaver Weapon	4187.3	12/15/73
Is Missing	5371.3	9/22/73	Beyond the Farthest Star	5521.3	12/22/73
Lorelei Signal	5483.7	9/29/73	Eye of the Beholder	5501.2	1/5/74
More Tribbles, More Troubles	5392.4	10/6/73	Jihad	5683.1	1/13/74
The Survivor	5143.3	10/13/73	Pirates of Orion	6334.1	9/7/74
The Infinite Vulcan	5554.4	10/20/73	Bern	7403.6	9/14/74
The Magic of Megas-Tu	1254.4	10/27/73	Practical Joker	3183.3	9/21/74
Once Upon a Planet	5591.2	11/3/73	Albatross	5275.6	9/28/74
Mudds Passion	4978.5	11/10/73	How Sharper Than A Serpents Tooth	6063.4	10/5/74
Terratin Incident	5577.3	11/17/73	Counterclock Incident	6770.3	10/12/74
Time Trap	5267.2	11/24/73			

The animated series featured the voices of William Shatner; Leonard Nimoy, DeForest Kelly, James Doohan (who did most of the voices of the male aliens ); George Takei; and Majel Barret (who did most of the alien female voices.)

Though many of the scenes were done using limited animation, it was considered to be better than most of the Saturday morning fare.

ALBUM REVERTER...000A	NOTES->ALBUM....000A	RAQUEL.....000B	LASERJET PAR....000C	MOUSE2.....000C	CHANGE INPUT....000E
ALBUMANIMATOR...000A	PAINT DRIVERS...000A	STAMP TEMPLATE...000B	LASERJET SER....000C	PENJOY.....000C	CHANGE PRINTER...000E
ANTIGRAV INFO...000A	PHOTO MOVER.....000A	QUICK CLIPS 1....000B	LASERWRITER 2.1..000C	SUPERSKETCH.....000C	DUMP.....000E
BIGCLIPPER 2.1...000A	PHOTO PRINT.....000A	GLSLEEVE.....000B	MPS 1200.....000C	128 DA AUTO-BOOT.000C	DUMP DOUBLE.....000E
BLACKOUT 1.2....000A	PHOTO PRINT 2.1..000A	10/X BITSHIFT...000C	MPS 1200 DS.....000C	128 MOUSE JH 1...000C	FONTSWAP.....000E
BLACKOUT.....000A	PAINT-SCRAP.....000A	10/X DUALSHIFT...000C	MPS-1000.....000C	GEDS2.0 HACKER...000D	GEDDUMP.....000E
BIGCLIPPER3.....000A	PAINTVIEW1.2....000A	1526.....000C	MPS-1200 DS.....000C	CONVERT-V2.5DA..000D	GEDHEXCALC.....000E
BLUEPENCIL.....000A	PANIC BUTTON....000A	ASCII ONLY.....000C	MPS-801.....000C	CONVERT-V2.5....000D	GETDIRECTORY....000E
COMBINER.....000A	FICSHOW.....000A	BLUECHIP (6C)...000C	MPS-803.....000C	MOUSEUP3.0.ARC..000D	IGVBULL.....000E
COMPUTEREYES...000A	PRINTDRVRPATCHER.000A	BLUECHIP M120...000C	NX-1000 RAINBOW..000C	1124-C64 VER.LBR.000D	ICON GRABBER 1.5.000E
CONVERT 1.4.....000A	QWIKTOP 2.4.....000A	C.ITOH 8510.....000C	OKI 120.....000C	GEDS.TD.BIN.....000D	PATTERN EDIT 2.0.000E
CONVERT 2.1.....000A	QUICKVIEW.....000A	C.ITOH 8510 (6C).000C	OKI 120 NLB.....000C	GEOLIST2.1.ARC..000D	PRINTIT.....000E
CONVERT 2.2.....000A	RAW.....000A	C.ITOH 8510 D.S..000C	OKI ML-92/93....000C	GEOTERM.PATCH...000D	RULER.....000E
CONVERT 2.4.....000A	RETRIVER 2.0....000A	C.ITOH 8510 B.S..000C	OKI ML-92/93 (6C.000C	GOOD.NOV89.SDA..000D	SET PATTERN.....000E
CONVERT 3.0.....000A	SCANTASTIC.....000A	C.ITOH 8510A....000C	OKIMATE 10.....000C	GEOPRINTDEMO.SDA.000D	SCREENPHOTO.....000E
COLORSMASHER...000A	SPRINGBOARD.....000A	C.ITOH RED.....000C	OKIMATE 20.....000C	BEAR1.MAC.....000D	AUTOCLOCK.....000E
COPY EDITOR.....000A	SCANTASIMODIFIER.000A	COMM COMPAT 1.2..000C	OLIVETTI PR2300..000C	BESTOFTOS.ARC...000D	AUTORAW.....000E
CUSTOM PRINT....000A	SCRAPEEK 3.2....000A	COMM COMPAT 2.0..000C	PAN DBL QUAD:....000C	POKER-V1.1.SDA..000D	CENTER 80.....000E
DATEPRINT.....000A	SCRAPEEK 3.4....000A	COMM. 1526.....000C	PAN DBL.....000C	HACKSFEB90.ARC..000D	NEW SYSTEM ERROR.000E
DIALOG BOX EDIT..000A	SCRAP IT.....000A	DBLSTRIKE10/X...000C	PAN DRAFT.....000C	VOYAGES4.ARC....000D	QUICK DATER.....000E
DIR MANAGER.....000A	SCREENPHOTO.....000A	EPC.LABEL.DRIVER.000C	PAN QUAD.....000C	PHOTO DBASE.LBR..000D	QUICKSTART.....000E
DESK ORGANIZER...000A	STORM DEMO.....000A	EPSON DBL.PRT...000C	QUAD DBL.PRTV2...000C	TEXT PRINT.....000E	SCRAPEEK 2.2....000E
DISK PROTECT 2...000A	TOOLKIT.....000A	EPSON FX-80 (6C).000C	QUAD SGL.PRTV2...000C	1124-C64 VER.LBR.000E	WORMDESK.....000E
FAST FORMAT.....000A	TRANSTEXT.....000A	EPSON FX-80 DS..000C	RITEMAN C+.....000C	BEAR1.MAC.....000E	GEOPASSWORD.....000E
FONT EDIT 2.2....000A	UNGEDS.....000A	EPSON FX-80 BS..000C	S6 00.....000C	BESTOFTOS.ARC...000E	QUICKSILVER 03...000F
FONT VIEW.....000A	UNLOCK.....000A	EPSON FX-80.....000C	S6 01.....000C	CONVERT-V2.5DA..000E	QUICKSILVER 05...000F
GEDDIRPRINT.....000A	UNLOCK 1.1.....000A	EPSON JX-80.....000C	S6 10.....000C	CONVERT-V2.5....000E	QUICKSILVER 10...000F
GEOFONT.....000A	ULTIMATE STAGE..000A	EPSON JX-80 (6C).000C	S6 11.....000C	GEOLIST2.1.ARC..000E	QUICKSILVER 11...000F
GEOGRAPH.....000A	UNTRASH.....000A	EPSON LQ-1500...000C	SCRIBE.....000C	GEOPRINTDEMO.SDA.000E	QUICKSILVER 13...000F
GEOHACKER 1.6....000A	WRITER'S CRAMP..000A	EPSON LX-80.....000C	STAR LM-1000....000C	GEDS.TD.BIN.....000E	QUICKSILVER 14...000F
GEODEX UPGRADE...000A	WRONG IS WRITE...000A	EPSON MX-80.....000C	STAR NB-15.....000C	GEDS2.0 HACKER...000E	QUICKSILVER 16...000F
GEDDIRPRINT2....000A	GRAPHIC LABELS...000B	EPSON MX-80 (6C).000C	STAR NB-15 (6C)..000C	GEOTERM.PATCH...000E	QUICKSILVER 19...000F
GEDDISKEDIT.....000A	GEOGRAPH SAMPLE1.000B	EPSON RED.....000C	STAR NL-10(COM)..000C	GOOD.NOV89.SDA..000E	QUICKSILVER 20...000F
GEDDISKED128...000A	GEOGRAPH SAMPLE2.000B	EPSONLASER2.....000C	STAR NX-10.....000C	HACKSFEB90.ARC..000E	QUICKSILVER 23...000F
GEOKEYBOARD.....000A	GEOGRAPH SAMPLE3.000B	FX80 4/1.....000C	STAR NX-10 (6C)..000C	MOUSEUP3.0.ARC..000E	QUICKSILVER 28...000F
GEOLIST2.0.....000A	FORM: PETASCII...000B	FX80 4/2.....000C	STAR NX-10 DS...000C	PHOTO DBASE.LBR..000E	QUICKSILVER 29...000F
GEOMATH.....000A	FORM: FS2.....000B	FX80 DOUBLE.....000C	STAR NX-10 BS...000C	POKER-V1.1.SDA..000E	QUICKSILVER 21...000F
GEOSIDPLAYER....000A	PETER.BX10.....000B	FX80 PAINTPAGES..000C	STAR NX-10C....000C	VOYAGES4.ARC....000E	SPRINGBOARD DOC..000E
GEOVIEW.....000A	XMAS GIRL.....000B	GEMINI II.....000C	STAR S6-10 (6C)..000C	GEOPINTER.....000E	MACATTACK II.DOC.000E
GEOLABEL.....000A	SDUMP PIC.....000B	GEMINI 10X.....000C	STAR S6-10/15...000C	GEVERT.....000E	PHOTO MOV.DOC...000E
GETGRAPHIC.....000A	PUBLIC.....000B	GEMINI 10X (6C)..000C	STARNX1000C.....000C	IMAGECON.....000E	BLACKOUT 2.....000E
GRAPHIC STORM...000A	RAILROAD1.....000B	GEMINI DS.....000C	TOSHIBA P321....000C	MACGEOPAINT.....000E	SET PATT.DOC....000E
HULMEVIEW.....000A	RAILROAD2.....000B	GEMINI DS.....000C	AUTO PREF.....000C	NOTE PRINTER....000E	GEODEX.FIX.....000E
ICON EDIT 2.....000A	SANTA BY JEFF...000B	HP LASERJET.....000C	ANYPEN.....000C	PICONVERT.....000E	DEC.GOODIES.....000E
ICON EDIT 2.1...000A	WEBSTERS.....000B	IBM 5152+.....000C	COMM 1351(A)....000C	PRGTOGEDS2.....000E	PAINTSCRAP2 DOC..000E
ICON EDIT.....000A	AMIGA.LADY.....000B	IBM 5152+ (6C)..000C	COMM 1351.....000C	PS/PM/NR.....000E	GOODIES.DEC89...000E
IDENTIFONTV3.2..000A	CITY GIRL.....000B	IBM 5152+ DS...000C	INKWELL.....000C	PSHOP/DOODLE...000E	DIR DOCS.....000E
LABELER.....000A	BLACKOUT 2.....000B	IBM 5152+ BS...000C	JOYSTICK 1.1....000C	PSHOPX2.....000E	TURBOFILE.....000E
LASERMATRIX ED..000A	PATTERN EDIT....000B	IBM 5152+ QS...000C	JOYSTICK 1.2....000C	RBOOT.....000E	CLICKNEFIRST!...000E
LASERMATRIX ED2..000A	FLAG.....000B	IMWRTR II DS...000C	KOALA PAD 1.....000C	SEQ2TEXTSCRAP1.3.000E	MULTI PRINT DOC+..000E
MACATTACK.....000A	FEMALE.....000B	IMWRTR II QS...000C	KOALA PAD III...000C	TEXTGRAB 1.1....000E	SOLO DOCS+.....000E
MACATTACK II....000A	B/PRETTY.B.....000B	IMAGewriter.....000C	KOALA PAD II....000C	US SCRAP.....000E	PRINTERDRIVERS+..000E
MULTIPRINT.....000A	BSA CLIP ART 2...000B	IMAGewriter II..000C	KOALA PAD 2....000C	40 SCRN PRINT...000E	GETDIRECTORY!...000E
MUSICBOX.....000A	BUSINESS 1+.....000B	IMAGewriterDS...000C	KOALA PAD2.....000C	ANALOG-CLOCK....000E	STATES N CAP.DOX.000E
NOTEPRINT.....000A	GEOCALPRINT....000B	IMAGewriterQS...000C	KOALA PAD.....000C	ANALOGCLOCK.....000E	L.MATRIXEDIT 1...000E
NEWSYSMOD.....000A	LEISURE.....000B	LASERMATRIX S610.000C	LIGHTPEN.....000C	CONVERT(DA).....000E	L.MATRIX EDIT 2..000E
		LASMATRIX 2-S610.000C	MOUSE 1351.....000C		



# NATIONAL GEOMETRIX USER GROUP

Application for Membership

Date: / /

Name (First, Last): \_\_\_\_\_

Address: \_\_\_\_\_

City, State, ZIP: \_\_\_\_\_

Telephone Number: \_\_\_\_\_ Best Time to Reach You: \_\_\_\_\_ AM/PM

## What Type of System Do You Have?

- C-64 or 64c  C-128  1541 Drive  1571 Drive  1581 Drive  1750 RAM  
 1700 RAM  1764 RAM  1351 Mouse  300 BAUD Modem  
 1200 BAUD Modem  2400 BAUD Modem

## Which Version Of GEOS Are You Currently Using?

- GEOS 64  GEOS 64 2.0  GEOS 128  GEOS 128 2.0

## Which GEOS Applications Do You Own?

- GeoWrite Workshop 2.1  GeoPublish  GeoDex  Graphics Grabber  
 GeoTerm  GeoFile  GeoCalc  GeoChart  DeskPack+  FontPack+  
 Personal Newsletter  BeckerBasic  
 Others/Name: \_\_\_\_\_

## What Field of GEOS Are You Most Interested In?

- DeskTop Publishing  Art  Word Processing  Spreadsheets  
 Databases  Entertainment  Home Organization  
 Mailing Lists  Others/Name: \_\_\_\_\_

Mail this application (and a CHECK or MONEY ORDER for \$10.00 -- Made payable to "RAINBOW SOFTWARE") to:

**RAINBOW SOFTWARE**  
20224 S. Sprague Rd.  
Oregon City, OR 97045-9641

geoJOURNAL  
20224 S. Sprague Rd.  
Oregon City, OR 97045

Date: / /  
Name (First, Last): \_\_\_\_\_  
Address: \_\_\_\_\_  
City, State, ZIP: \_\_\_\_\_  
Telephone Number: \_\_\_\_\_  
Best Time to Reach You: \_\_\_\_\_ AM/PM

What Type of System Do You Have?  
 C-64 or 64c  C-128  1541 Drive  1571 Drive  1581 Drive  1750 RAM  
 1700 RAM  1764 RAM  1821 Mouse  300 BAUD Modem  
 1200 BAUD Modem  2400 BAUD Modem

Which Version of GEOS Are You Currently Using?  
 GEOS 64  GEOS 64.20  GEOS 128  GEOS 128.20

Which GEOS Applications Do You Own?  
 GeoWrite Workshop 2.1  GeoPublish  GeoDex  Graphics Grabber  
 GeoTerm  GeoFile  GeoCalc  GeoChart  DeskPack+  FontPack+  
 Personal Newsletter  BeckerBasic  
 Others: \_\_\_\_\_

What Field of GEOS Are You Most Interested In?  
 Desktop Publishing  Art  Word Processing  Spreadsheets  
 Databases  Entertainment  Home Organization  
 Mailing Lists  Others: \_\_\_\_\_

Mail this application (and a CHECK or MONEY ORDER for \$10.00 - Made payable to "RAINBOW SOFTWARE") to:  
RAINBOW SOFTWARE  
20224 S. Sprague Rd.  
Oregon City, OR 97045-0681